

EVO

PRESSURE CONTROL EXCELLENCE

2026 CATALOGUE



BUILT WITH PURPOSE.
PROVEN TO PERFORM.

SANS
SANS 198



EVO FLOW
400 kPa



EVO FLOW
600 kPa



**VACUUM
BREAKER**



EVO FLOW
600 kPa / 400 kPa
MALE & FEMALE



EVO DRAIN COCK
MALE & FEMALE

2

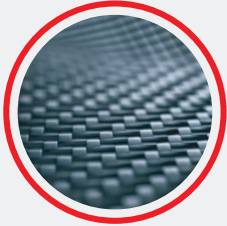
THE EVO ADVANTAGE

EVO
PRESSURE CONTROL EXCELLENCE



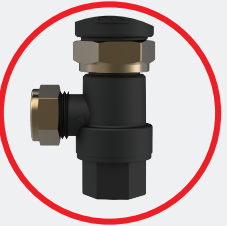
SHUT-OFF VALVE

Integrated shut-off valve for easy maintenance of geysers and plumbing components.



POLYMER BODY

Durable, corrosion-resistant and UV-stable.



EXPANSION VALVE

360° rotating expansion valve for quick and easy installation. 15 mm outlet.



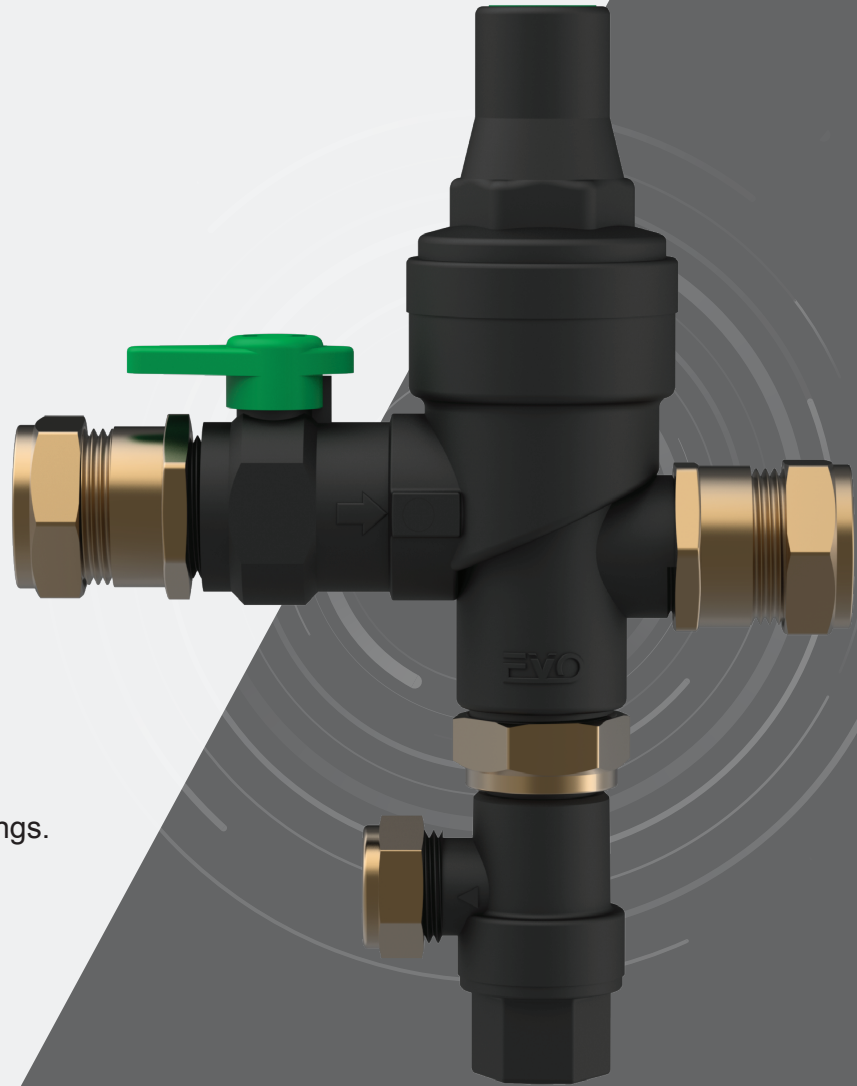
DZR FITTINGS

SABS-approved DZR brass fittings. Available in 15 mm and 22 mm.



REPLACEABLE EXPANSION VALVE

Replaceable valve cartridge for easier servicing.



QUALITY WITHOUT COMPROMISE



At EVO Valves, quality is one of the key pillars of continuous improvement. Our staff receive ongoing training to ensure strict quality principles and correct procedures are followed. All products are wet-tested to simulate real-world installation conditions, helping us maintain consistent performance and reliability. EVO Valves products are tested to meet South African national standards.



www.evovalves.co.za

WHY CHOOSE

EVO

THANKYOU, SOUTH AFRICA

Thank you, retailers and plumbers, for supporting EVO nationwide. As a proudly local manufacturer, we are grateful for the trust that will help us reach our major milestones across the South African plumbing industry.



3 YEAR WARRANTY

“YES EVO CAN” outlast 3 years.
“Built to last. Backed to perform.”



5 REGISTERED PATENTS

Innovation across the EVO Flo range.
“Leading the flow with patented design.”



PROVEN WARRANTY RETURN RATIO

Return ratio of 0.020 — one of our strongest quality milestones.
“Quality you can count on. Returns that prove it.”



SERVICEABLE EVO FLO PRV

Designed with a replaceable relief cartridge for easier servicing.
“Serviceable by design. Lifespan extended by choice.”



NATIONAL BACK-UP SUPPORT

Support response record within 24 hours.
“Nationwide support. 24-hour response.”

BUILT FOR SOUTH AFRICA



NATIONAL AFTER-SALES SERVICE SUPPORT

Qualified plumbing support for on-site repair or replacement within 24 hours.



LOCAL TRAINING SUPPORT

Practical product training support for your teams.



QUALITY-PROVEN LOCAL RANGES

EVO products are supported by a national footprint and are suitable for horizontal and vertical installation.





Pressure Control Valves (PRV)

5-6



Valve Pack (PRV + 2 VCV')

7



Relief Valve (RC)

8



Vacuum Breaker (VCV)

9



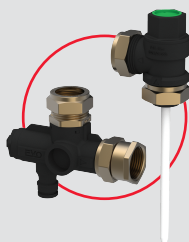
Temperature & Pressure control valves (T/P)

10



Drain Cock's (DC)

11



Geyser Packs (T/P & DC)

12



5

PRESSURE CONTROL VALVES



Reliable
pressure
management



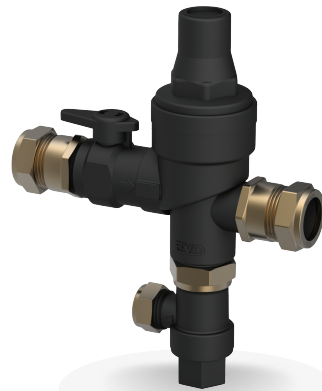
High Quality
built to last



Easy
installation



200 kPa



PRODUCT CODES

SIZE	PRODUCT CODE	BAR CODE
22 mm	EVO-22V-200	746747249523
15 mm	EVO-15V-200	746747249516

Weight: 0.47 kg

400 kPa

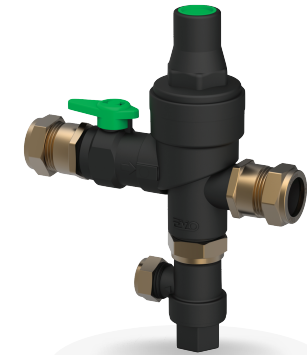


PRODUCT CODES

SIZE	PRODUCT CODE	BAR CODE
22 mm	EVO-22V-400	6009880621187
15 mm	EVO-15V-400	781718094849

Weight: 0.47 kg

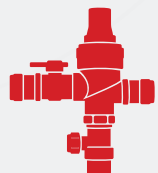
600 kPa



PRODUCT CODES

SIZE	PRODUCT CODE	BAR CODE
22 mm	EVO-22V-600	6009880621194
15 mm	EVO-15V-600	781718094856

Weight: 0.47 kg



ABOUT OUR PRESSURE CONTROL VALVES

EVO Pressure Control Valves are engineered for geyser installations, helping regulate pressure safely and consistently. Built for durability and reliability, they support long-lasting performance in plumbing applications.



SCAN FOR
MORE INFO

PRESSURE CONTROL VALVES SPECIFICATIONS



22 mm

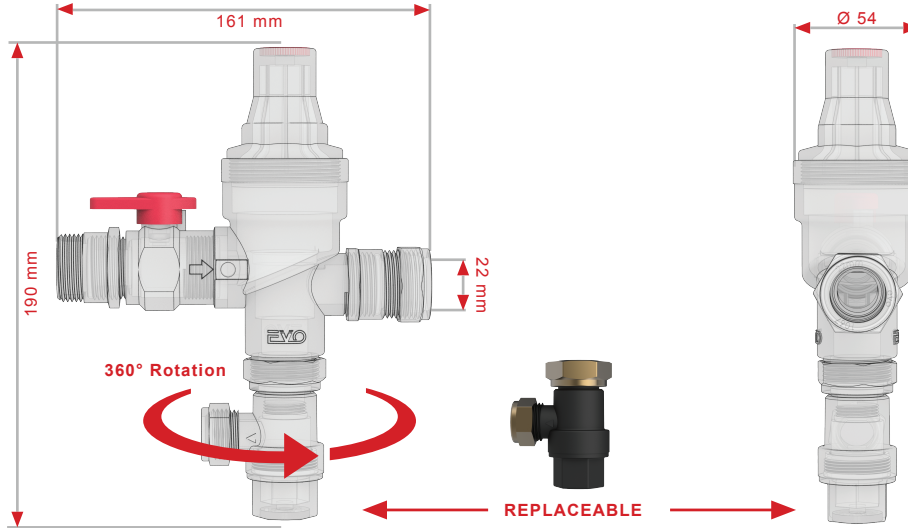
200 kPa



400 kPa



600 kPa



DIMENSIONS (22MM)

15 mm

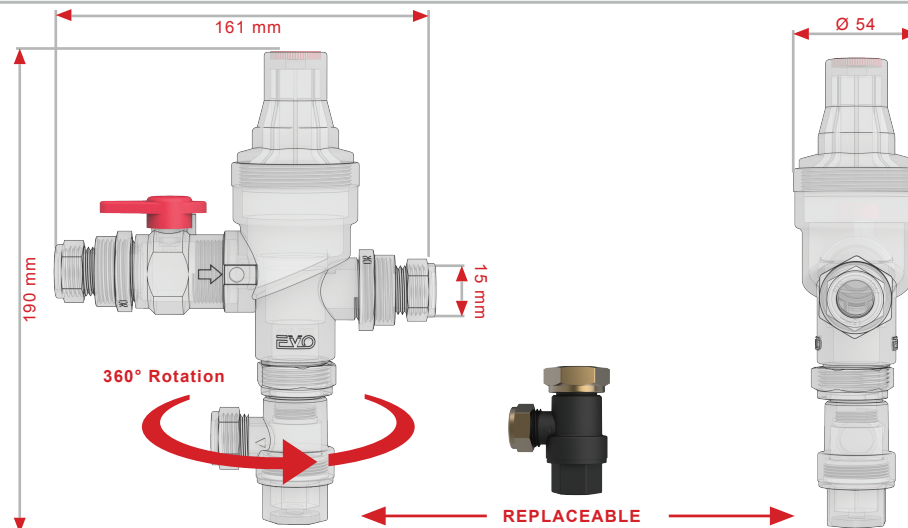
200 kPa



400 kPa



600 kPa



DIMENSIONS (15MM)

7

VALVE PACKS



POLYMER BODY
Durable, corrosion-resistant
and UV-stable.

EVO
PRESSURE CONTROL EXCELLENCE

400 kPa





22 MM

PRODUCT CODE BAR CODE WEIGHT

EVO-22VP-400 606110189699 0.59 kg

PACK INCLUDES



-  1 x Pressure Control Valve
Code: EVO-22V-400
-  2 x Vacuum Breakers
Code: EVO-VB-22

15 MM

PRODUCT CODE BAR CODE WEIGHT

EVO-15VP-400 781718096539 0.59 kg

PACK INCLUDES

-  1 x Pressure Control Valve
Code: EVO-15V-400
-  2 x Vacuum Breakers
Code: EVO-VB-15

600 kPa





22 MM

PRODUCT CODE BAR CODE WEIGHT

EVO-22VP-600 606110189705 0.59 kg

PACK INCLUDES



-  1 x Pressure Control Valve
Code: EVO-22V-600
-  2 x Vacuum Breakers
Code: EVO-VB-22

15 MM

PRODUCT CODE BAR CODE WEIGHT

EVO-15VP-600 781718096522 0.59 kg

PACK INCLUDES

-  1 x Pressure Control Valve
Code: EVO-15V-600
-  2 x Vacuum Breakers
Code: EVO-VB-15



www.evovalves.co.za

RELIEF VALVE



POLYMER BODY
Durable, corrosion resistant
and UV stable.



200 kPa



Product:	Bar Code:
EVO-22C-200	746747249530

Weight: 0.2 kg

400 kPa



Product:	Bar Code:
EVO-22C-400	745853960728

Weight: 0.2 kg

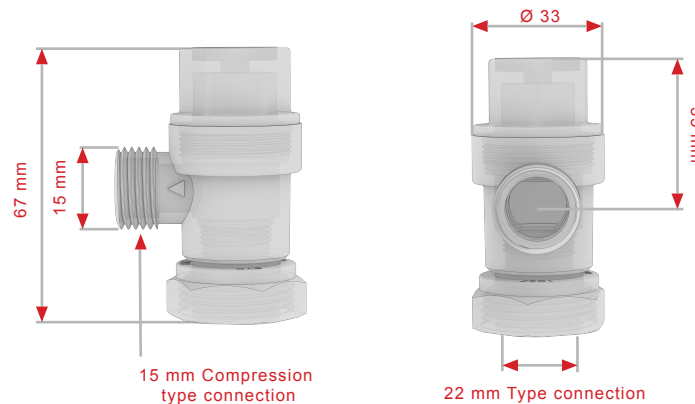
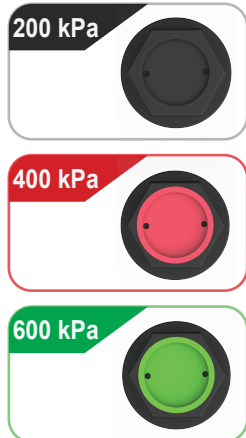
600 kPa



Product:	Bar Code:
EVO-22C-600	745853960742

Weight: 0.2 kg

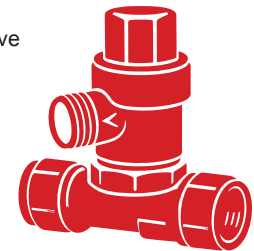
REPLACEMENT RELIEF CARTRIDGE FOR EVO FLO PRV VALVES



Can be used as a stand-alone relief valve

A 22 mm compression-type fitting is required for the installation.

Example shown
22 mm tees



9

VACUUM BREAKER (VCV)



POLYMER BODY
Durable, corrosion-resistant
and UV-stable.

EVO
PRESSURE CONTROL EXCELLENCE

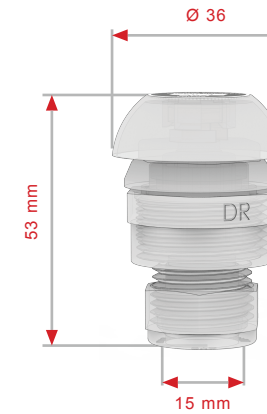
15 mm



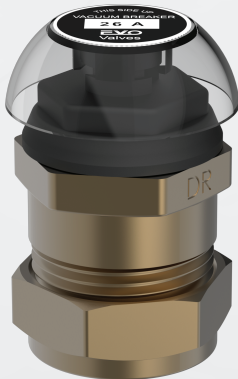
Product: EVO-VB-15

Bar Code: 781718096492

WEIGHT: 0.1 kg



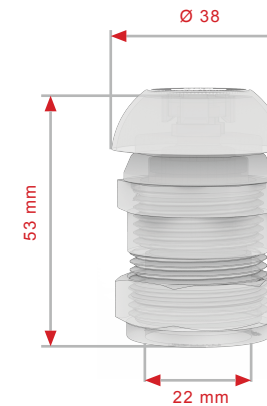
22 mm



Product: EVO-VB-22

Bar Code: 6009880621255

WEIGHT: 0.1 kg



www.evovalves.co.za

10

TEMPERATURE & PRESSURE CONTROL VALVES (T/P)



POLYMER BODY
Durable, corrosion-resistant and UV-stable.



400 kPa



MALE TYPE

PRODUCT CODE	BAR CODE	WEIGHT
EVO-TP-M400	781718588850	0.47 kg

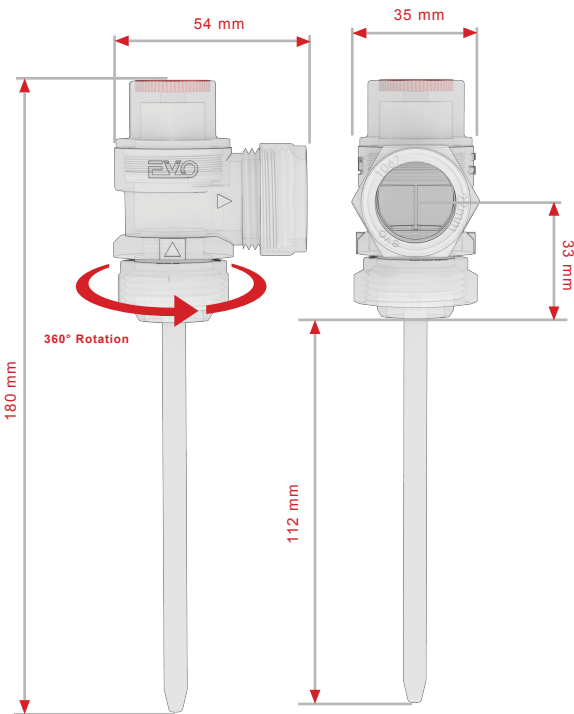
- DZR Brass Male
- 3/4" BSP



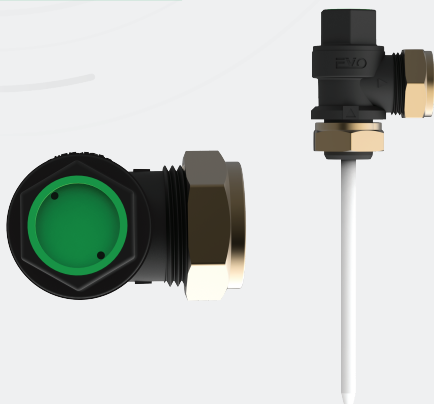
FEMALE TYPE

PRODUCT CODE	BAR CODE	WEIGHT
EVO-TP-F400	745853956127	0.47 kg

- DZR Brass Female
- 3/4" BSP



600 kPa



MALE TYPE

PRODUCT CODE	BAR CODE	WEIGHT
EVO-TP-M600	781718588836	0.47 kg

- DZR Brass Male
- 3/4" BSP



FEMALE TYPE

PRODUCT CODE	BAR CODE	WEIGHT
EVO-TP-F600	781718588843	0.47 kg

- DZR Brass Female
- 3/4" BSP



UNIVERSAL COMPATIBILITY

Each T/P valve body is compatible with both Male and Female 3/4" BSP DZR brass connection types.



DRAIN COCKS



POLYMER BODY
Durable, corrosion-resistant
and UV-stable.



MALE



MALE TYPE

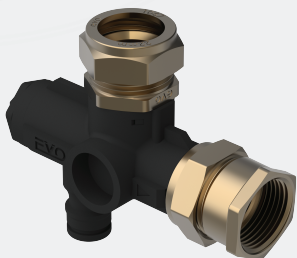
PRODUCT CODE BAR CODE WEIGHT

EVO-DC-22M 60611020205443 0.25 kg

DZR Brass Male

3/4" BSP

FEMALE



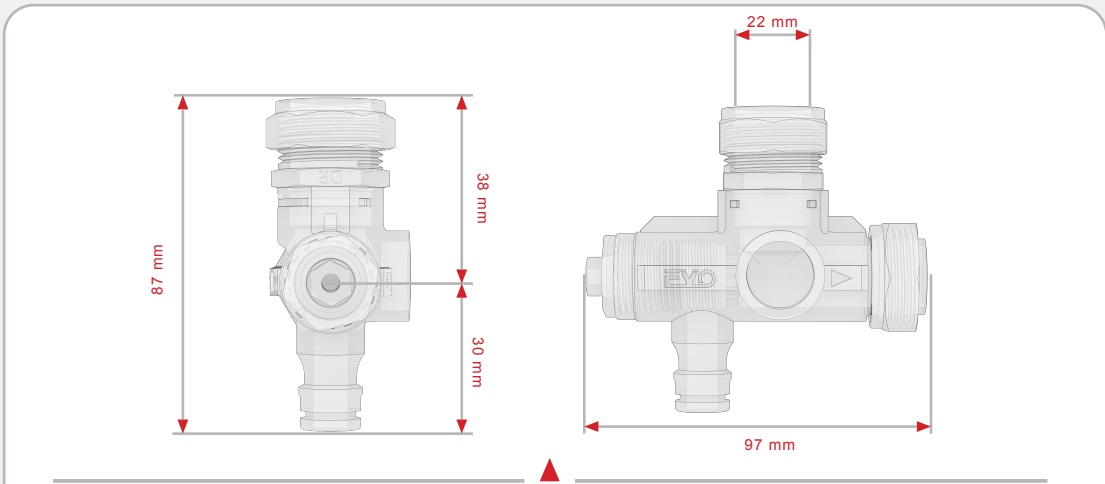
FEMALE TYPE

PRODUCT CODE BAR CODE WEIGHT

EVO-DC-22F 781718096508 0.25 kg

DZR Brass Female

3/4" BSP



OUTLET FITTING OPTIONS

A **BSP 3/4" MALE**

For male threaded outlet connection.

B **BSP 3/4" FEMALE**

For female threaded outlet connection.

C **BSP 1/2" MALE**

For male threaded outlet connection.

D **INLET PLUG**



ONE BODY. FOUR CONNECTION OPTIONS.

Compatible with 22 mm compression inlet and interchangeable BSP outlet fittings.

12

GEYSER PACKS




POLYMER BODY
Durable, corrosion-resistant
and UV-stable.

EVO

PRESSURE CONTROL EXCELLENCE

400 kPa








MALE TYPE

PRODUCT CODE	BAR CODE	WEIGHT
EVO-GP-M400	781718096515	0.4 kg

PACK INCLUDES



-  1 x Drain Cock
Code: EVO-DC-22M
-  1 x TP Valve
Code: EVO-TP-M400



FEMALE TYPE


PRODUCT CODE	BAR CODE	WEIGHT
EVO-GP-F400	606110205436	0.4 kg

PACK INCLUDES

-  1 x Drain Cock
Code: EVO-DC-22F
-  1 x TP Valve
Code: EVO-TP-F400

600 kPa








MALE TYPE

PRODUCT CODE	BAR CODE	WEIGHT
EVO-GP-M600	7458539566097	0.4 kg

PACK INCLUDES



-  1 x Drain Cock
Code: EVO-DC-22M
-  1 x TP Valve
Code: EVO-TP-M600



FEMALE TYPE

PRODUCT CODE	BAR CODE	WEIGHT
EVO-GP-F600	74585395080	0.4 kg

PACK INCLUDES

-  1 x Drain Cock
Code: EVO-DC-22F
-  1 x TP Valve
Code: EVO-TP-F600





PRESSURE CONTROL EXCELLENCE



Contact:

sales@evovalves.co.za
www.evovalves.co.za
+27 12 687 336 (Office)



Address:

22A Sunbeam Street
Westhills Estate
Sunderland Ridge
Centurion
0157



EVO VALVES, QUALITY WITHOUT COMPROMISE